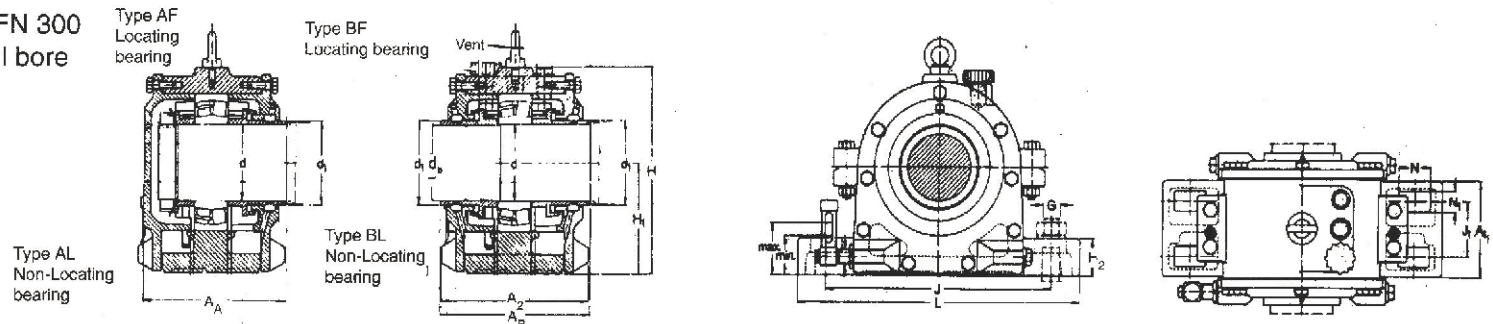


Plummer Blocks

Series SOFN 200 and SOFN 300 for bearings with cylindrical bore



SOFN Plummer Blocks for spherical roller bearing with cylindrical bore (FOR DIRECT MOUNTING)

AL = CLOSED END. LOOSE BEARING
BL = THROUGH SHAFT. LOOSE BEARING

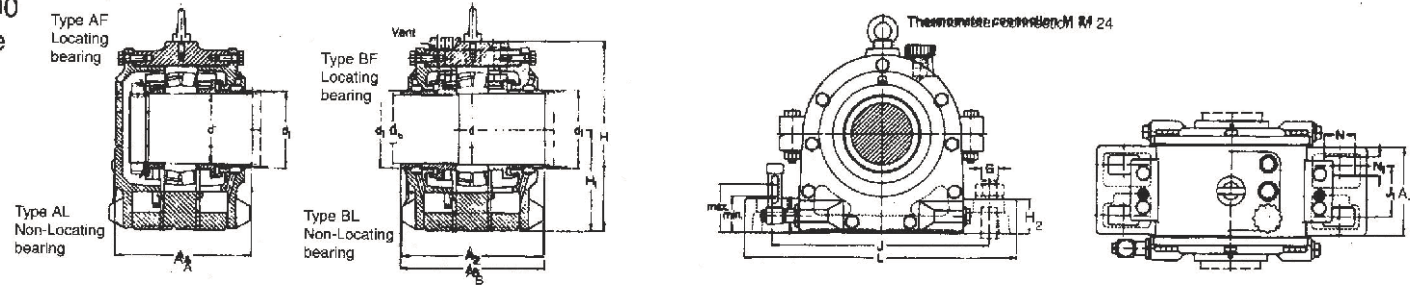
AF = CLOSED. FIXED BEARING
BF = THROUGH SHAFT. FIXED BEARING

| Bearing Housing Designation | Shaft diameter | | dc min | AA | AB | A1 | A2 | A3 | G | Gh | H | H1 | H2 | J | J1 | L | N | N1 | S | d1 | S1 | G1 | G2 | Ba | Bb | Suitable For Bearing |
|-----------------------------|----------------|----|--------|-------|-----|-----|-----|-----|------|----|-----|-----|----|-----|----|-----|----|----|-------|-----|----|-------|-------|-----|-------|----------------------|
| SOFN 310 | 50 | 49 | 56 | 142.5 | 150 | 92 | 145 | 7.5 | M 16 | 27 | 168 | 95 | 30 | 210 | 50 | 270 | 30 | 19 | 75 | 58 | 3 | R 1/4 | R 3/8 | 128 | 92 | 22310 CC |
| SOFN 311 | 55 | 58 | 61 | 147.5 | 155 | 95 | 148 | 7.5 | M 16 | 27 | 180 | 100 | 30 | 233 | 50 | 290 | 33 | 19 | 77.5 | 65 | 3 | R 1/4 | R 3/8 | 134 | 96 | 22311 CC |
| SOFN 212 | 60 | 58 | 66 | 142.5 | 150 | 92 | 145 | 7.5 | M 16 | 27 | 168 | 95 | 30 | 210 | 50 | 270 | 30 | 19 | 75 | 70 | 3 | R 1/4 | R 3/8 | 128 | 86 | 22212 CC |
| SOFN 312 | 60 | 63 | 66 | 162.5 | 170 | 100 | 152 | 7.5 | M 16 | 27 | 198 | 110 | 30 | 230 | 55 | 290 | 34 | 19 | 85 | 70 | 5 | R 1/4 | R 3/8 | 147 | 105 | 22312 CC |
| SOFN 213 | 65 | 63 | 71 | 147.5 | 155 | 95 | 148 | 7.5 | M 16 | 27 | 180 | 100 | 30 | 233 | 50 | 290 | 34 | 19 | 77.5 | 75 | 3 | R 1/4 | R 3/8 | 134 | 90 | 22213 CC |
| SOFN 313 | 65 | 68 | 71 | 172.5 | 180 | 110 | 182 | 7.5 | M 20 | 27 | 230 | 125 | 35 | 260 | 60 | 330 | 40 | 24 | 90 | 75 | 3 | R 1/4 | R 3/8 | 153 | 110.5 | 22313 CC |
| SOFN 214 | 70 | 68 | 76 | 162.5 | 170 | 100 | 152 | 7.5 | M 16 | 27 | 198 | 110 | 30 | 230 | 55 | 290 | 34 | 19 | 85 | 80 | 5 | R 1/4 | R 3/8 | 136 | 98 | 22214 CC |
| SOFN 314 | 70 | 73 | 76 | 172.5 | 180 | 110 | 182 | 7.5 | M 20 | 27 | 230 | 125 | 35 | 260 | 60 | 330 | 40 | 24 | 90 | 80 | 5 | R 1/2 | R 3/8 | 156 | 112 | 22314 CC |
| SOFN 215 | 75 | 73 | 81 | 172.5 | 170 | 100 | 152 | 7.5 | M 16 | 27 | 198 | 110 | 30 | 230 | 55 | 290 | 34 | 19 | 85 | 85 | 5 | R 1/4 | R 3/8 | 145 | 98 | 22215 CC |
| SOFN 315 | 75 | 78 | 81 | 180 | 190 | 120 | 190 | 10 | M 20 | 27 | 245 | 135 | 45 | 290 | 70 | 360 | 40 | 24 | 95 | 85 | 5 | R 1/2 | R 3/8 | 161 | 119.5 | 22315 CC |
| SOFN 216 | 80 | 78 | 86 | 172.5 | 180 | 110 | 182 | 7.5 | M 20 | 27 | 230 | 125 | 35 | 260 | 60 | 330 | 40 | 24 | 90 | 95 | 5 | R 1/2 | R 3/8 | 149 | 103 | 22216 CC |
| SOFN 316 | 80 | 83 | 86 | 199 | 214 | 135 | 210 | 15 | M 20 | 27 | 255 | 140 | 40 | 290 | 80 | 360 | 40 | 24 | 107 | 95 | 5 | R 1/2 | R 3/8 | 181 | 133 | 22316 CC |
| SOFN 217 | 85 | 83 | 91 | 172.5 | 180 | 110 | 182 | 7.5 | M 20 | 27 | 230 | 125 | 35 | 260 | 60 | 330 | 40 | 24 | 90 | 96 | 5 | R 1/2 | R 3/8 | 150 | 105 | 22217 CC |
| SOFN 317 | 85 | 88 | 91 | 206 | 206 | 130 | 205 | 10 | M 24 | 27 | 270 | 145 | 50 | 320 | 75 | 400 | 45 | 28 | 103 | 96 | 5 | R 1/2 | R 1/2 | 188 | 130 | 22317 CC |
| SOFN 218 | 90 | 88 | 96 | 180 | 190 | 120 | 190 | 10 | M 20 | 27 | 245 | 135 | 45 | 290 | 70 | 360 | 40 | 24 | 95 | 100 | 5 | R 1/2 | R 3/8 | 161 | 112 | 22218 CC |
| SOFN 318 | 90 | 93 | 96 | 225 | 240 | 165 | 246 | 15 | M 24 | 27 | 280 | 155 | 50 | 317 | 95 | 400 | 45 | 28 | 120 | 104 | 5 | R 1/2 | R 1/2 | 198 | 148 | 22318 CC |
| SOFN 219 | 95 | 93 | 101 | 192 | 200 | 135 | 210 | 8 | M 20 | 27 | 255 | 140 | 40 | 290 | 80 | 360 | 40 | 24 | 100 | 105 | 5 | R 1/2 | R 3/8 | 171 | 118 | 22219 CC |
| SOFN 319 | 95 | 93 | 101 | 240 | 224 | 145 | 216 | 13 | M 24 | 27 | 290 | 160 | 50 | 347 | 75 | 420 | 45 | 28 | 114.5 | 105 | 5 | R 1/2 | R 1/2 | 211 | 145 | 22319 CC |
| SOFN 220 | 100 | 98 | 106 | 196 | 206 | 130 | 205 | 10 | M 24 | 27 | 270 | 145 | 50 | 320 | 75 | 400 | 45 | 28 | 103 | 110 | 5 | R 1/2 | R 1/2 | 177 | 123 | 22220 CC |
| SOFN 320 | 100 | 98 | 106 | 255 | 270 | 170 | 245 | 15 | M 24 | 27 | 315 | 170 | 55 | 347 | 90 | 420 | 45 | 28 | 135 | 115 | 8 | R 1/2 | R 1/2 | 226 | 168 | 22320 CC |

Housing a320re designed for oil bath lubrication.

Plummer Blocks

Series SOFN 200 and SOFN 300
for bearings with cylindrical bore



SOFN Plummer Blocks for spherical roller bearing with cylindrical bore

(FOR DIRECT MOUNTING)

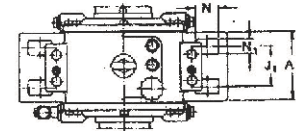
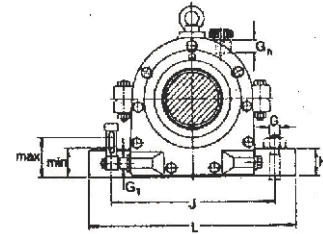
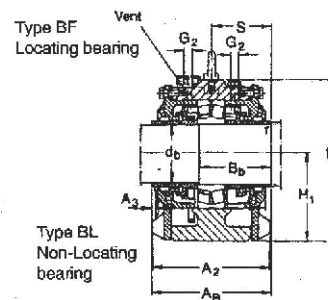
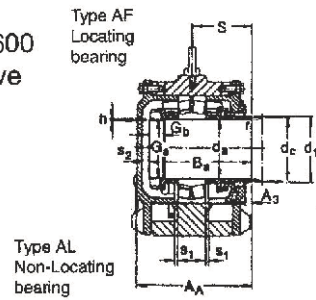
AL = CLOSED END. LOOSE BEARING
BL = THROUGH SHAFT. LOOSE BEARING

AF = CLOSED. FIXED BEARING
BF = THROUGH SHAFT. FIXED BEARING

| Shaft dia | Housing Dimensions | | | | | | | | | | | | | | Housing Designation | Bearing Designation | Oil level | | Appropriate lock nut | Appropriate locking washer | |
|-----------|--------------------|----------------|----------------|----------------|------|-----|----------------|----------------|-----|----------------|-----|----|----|----------------|---------------------|---------------------|----------------|------|----------------------|----------------------------|-------|
| | A _A | A _B | A ₁ | A ₂ | G | H | H ₁ | H ₂ | J | J ₁ | L | N | N1 | d ₁ | | | d ₂ | max. | | | min. |
| mm | mm | | | | | | | | | | | | | | | | mm | | | | |
| 110 | 216 | 229 | 145 | 216 | M 24 | 290 | 160 | 50 | 347 | 75 | 420 | 45 | 28 | 120 | 108 | SOFN 222 | 22222 CC | 77 | 50 | KM 22 | MB 22 |
| | 270 | 290 | 190 | 265 | M 30 | 355 | 190 | 65 | 415 | 100 | 500 | 45 | 35 | 130 | 108 | SOFN 322 | 22322 CC | 95 | 67 | KM 22 | MB 22 |
| 120 | 258 | 276 | 170 | 245 | M 24 | 315 | 170 | 55 | 347 | 90 | 420 | 45 | 28 | 135 | 118 | SOFN 224 | 22224 CC | 80 | 60 | KM 24 | MB 24 |
| | 285.5 | 306 | 190 | 265 | M 30 | 375 | 200 | 65 | 450 | 115 | 540 | 50 | 35 | 140 | 118 | SOFN 324 | 22324 CC | 100 | 65 | KM 24 | MB 24 |
| 130 | 255 | 270 | 180 | 260 | M 24 | 335 | 180 | 60 | 377 | 100 | 450 | 45 | 28 | 145 | 128 | SOFN 226 | 22226 CC | 85 | 60 | KM 26 | MB 26 |
| | 300 | 320 | 205 | 285 | M 30 | 405 | 215 | 65 | 470 | 120 | 560 | 50 | 35 | 150 | 128 | SOFN 326 | 22326 CC | 105 | 70 | KM 26 | MB 26 |
| 140 | 265 | 280 | 190 | 265 | M 30 | 355 | 190 | 65 | 415 | 100 | 500 | 45 | 35 | 160 | 138 | SOFN 228 | 22228 CC | 85 | 60 | KM 28 | MB 28 |
| | 320 | 340 | 220 | 300 | M 30 | 425 | 230 | 80 | 510 | 120 | 630 | 60 | 35 | 165 | 138 | SOFN 328 | 22328 CC | 115 | 70 | KM 28 | MB 28 |
| 150 | 265 | 280 | 190 | 265 | M 30 | 375 | 200 | 65 | 450 | 115 | 540 | 50 | 35 | 170 | 148 | SOFN 230 | 22230 CC | 90 | 60 | KM 30 | MB 30 |
| | 335 | 350 | 240 | 320 | M 30 | 455 | 245 | 75 | 545 | 150 | 650 | 65 | 35 | 175 | 148 | SOFN 330 | 22330 CC | 120 | 75 | KM 30 | MB 30 |
| 160 | 298 | 316 | 205 | 280 | M 30 | 405 | 215 | 65 | 470 | 120 | 560 | 50 | 35 | 178 | 158 | SOFN 232 | 22232 CC | 95 | 65 | KM 32 | MB 32 |
| | 350 | 370 | 250 | 335 | M 36 | 480 | 260 | 85 | 590 | 150 | 720 | 70 | 42 | 190 | 158 | SOFN 332 | 22332 CC | 125 | 80 | KM 32 | MB 32 |
| 170 | 330 | 350 | 230 | 310 | M 30 | 440 | 235 | 70 | 515 | 130 | 610 | 55 | 35 | 195 | 168 | SOFN 234 | 22234 CC | 105 | 75 | KM 34 | MB 34 |
| | 358 | 378 | 260 | 350 | M 36 | 510 | 275 | 85 | 600 | 160 | 730 | 70 | 42 | 197 | 168 | SOFN 334 | 22334 CC | 130 | 85 | KM 34 | MB 34 |
| 180 | 340 | 360 | 240 | 320 | M 30 | 455 | 245 | 75 | 545 | 150 | 650 | 65 | 35 | 205 | 177 | SOFN 236 | 22236 CC | 115 | 80 | KM 36 | MB 36 |
| | 384.5 | 404 | 280 | 370 | M 36 | 565 | 305 | 95 | 670 | 180 | 820 | 80 | 42 | 210 | 178 | SOFN 336 | 22336 CC | 155 | 90 | KM 36 | MB 36 |
| 190 | 350 | 370 | 250 | 335 | M 36 | 480 | 260 | 85 | 590 | 150 | 720 | 70 | 42 | 220 | 188 | SOFN 238 | 22238 CC | 120 | 85 | KM 38 | MB 38 |
| 200 | 358 | 378 | 260 | 350 | M 36 | 510 | 275 | 85 | 600 | 160 | 730 | 70 | 42 | 227 | 198 | SOFN 240 | 22240 CC | 125 | 85 | KM 40 | MB 40 |
| 220 | 384.5 | 404 | 280 | 370 | M 36 | 565 | 305 | 95 | 670 | 180 | 820 | 80 | 42 | 255 | 218 | SOFN 244 | 22244 CC | 140 | 95 | HM 44 T | MB 44 |
| 240 | 400 | 420 | 290 | 380 | M 36 | 625 | 340 | 100 | 740 | 190 | 900 | 80 | 42 | 270 | 238 | SOFN 248 | 22248 CC | 155 | 110 | HM 48 T | MB 48 |

Plummer Blocks

Series SOFN 500 and SOFN 600 for bearings with Adapter sleeve



SOFN Plummer Blocks for spherical roller bearing with adapter sleeve

(FOR DIRECT MOUNTING)

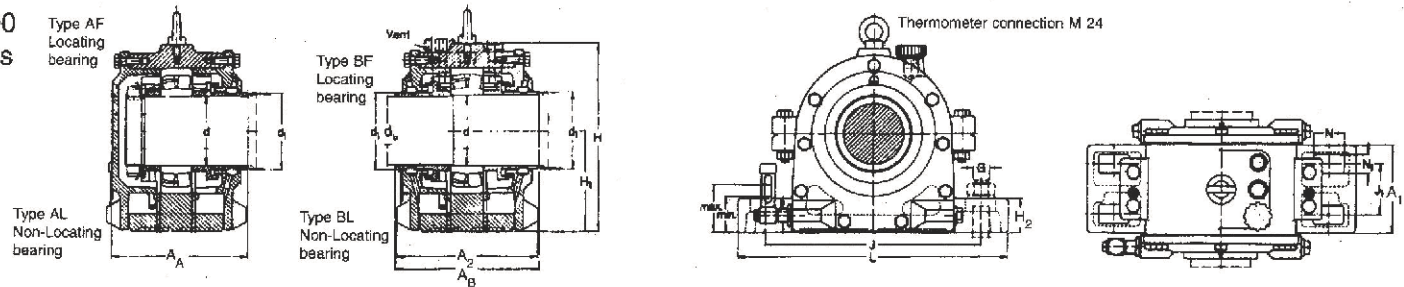
AL = CLOSED END. LOOSE BEARING
BL = THROUGH SHAFT. LOOSE BEARING

AF = CLOSED. FIXED BEARING
BF = THROUGH SHAFT. FIXED BEARING

| Bearing | Shaft diameter da | AB | A1 | A2 | A3 | G | Gh | H | H1 | H2 | J | J1 | L | N | N1 | S | d1 | S1 | G1 | G2 | Bearing | Adapter Sleeve |
|----------|-------------------|-----|-----|-----|-----|------|----|-----|-----|----|-----|----|-----|----|----|-------|-----|----|-------|-------|-----------|----------------|
| SOFN 610 | 45 | 150 | 92 | 145 | 7.5 | M 16 | 27 | 168 | 95 | 30 | 210 | 50 | 270 | 30 | 19 | 75 | 58 | 3 | R 1/4 | R 3/8 | 22310 CCK | H 2310 |
| SOFN 611 | 50 | 155 | 95 | 148 | 7.5 | M 16 | 27 | 180 | 100 | 30 | 233 | 50 | 290 | 33 | 19 | 77.5 | 65 | 3 | R 1/4 | R 3/8 | 22311 CCK | H 2311 |
| SOFN 512 | 55 | 150 | 92 | 145 | 7.5 | M 16 | 27 | 168 | 95 | 30 | 210 | 50 | 270 | 30 | 19 | 75 | 70 | 3 | R 1/4 | R 3/8 | 22212 CCK | H 312 |
| SOFN 612 | 55 | 170 | 100 | 152 | 7.5 | M 16 | 27 | 198 | 110 | 30 | 230 | 55 | 290 | 34 | 19 | 85 | 70 | 5 | R 1/4 | R 3/8 | 22312 CCK | H 2312 |
| SOFN 513 | 60 | 155 | 95 | 148 | 7.5 | M 16 | 27 | 180 | 100 | 30 | 233 | 50 | 290 | 34 | 19 | 77.5 | 75 | 3 | R 1/4 | R 3/8 | 22213 CCK | H 313 |
| SOFN 613 | 60 | 180 | 110 | 182 | 7.5 | M 20 | 27 | 230 | 125 | 35 | 260 | 60 | 330 | 40 | 24 | 90 | 75 | 3 | R 1/4 | R 3/8 | 22313 CCK | H 2313 |
| SOFN 515 | 65 | 170 | 100 | 152 | 7.5 | M 16 | 27 | 198 | 110 | 30 | 230 | 55 | 290 | 34 | 19 | 85 | 85 | 5 | R 1/4 | R 3/8 | 22215 CCK | H 315 |
| SOFN 615 | 65 | 190 | 120 | 190 | 10 | M 20 | 27 | 245 | 135 | 45 | 290 | 70 | 360 | 40 | 24 | 95 | 85 | 5 | R 1/2 | R 3/8 | 22315 CCK | H 2315 |
| SOFN 516 | 70 | 180 | 110 | 182 | 7.5 | M 20 | 27 | 230 | 125 | 35 | 260 | 60 | 330 | 40 | 24 | 90 | 95 | 5 | R 1/2 | R 3/8 | 22216 CCK | H 316 |
| SOFN 616 | 70 | 214 | 135 | 210 | 15 | M 20 | 27 | 255 | 140 | 40 | 290 | 80 | 360 | 40 | 24 | 107 | 95 | 5 | R 1/2 | R 3/8 | 22316 CCK | H 2316 |
| SOFN 517 | 75 | 180 | 110 | 182 | 7.5 | M 20 | 27 | 230 | 125 | 35 | 260 | 60 | 330 | 40 | 24 | 90 | 96 | 5 | R 1/2 | R 3/8 | 22217 CCK | H 317 |
| SOFN 617 | 75 | 206 | 130 | 205 | 10 | M 24 | 27 | 270 | 145 | 50 | 320 | 75 | 400 | 45 | 28 | 103 | 96 | 5 | R 1/2 | R 1/2 | 22317 CCK | H 2317 |
| SOFN 518 | 80 | 190 | 120 | 190 | 10 | M 20 | 27 | 245 | 135 | 45 | 290 | 70 | 360 | 40 | 24 | 95 | 100 | 5 | R 1/2 | R 3/8 | 22218 CCK | H 318 |
| SOFN 618 | 80 | 240 | 165 | 246 | 15 | M 24 | 27 | 280 | 155 | 50 | 317 | 95 | 400 | 45 | 28 | 120 | 104 | 5 | R 1/2 | R 1/2 | 22318 CCK | H 2318 |
| SOFN 519 | 85 | 200 | 135 | 210 | 8 | M 20 | 27 | 255 | 140 | 40 | 290 | 80 | 360 | 40 | 24 | 100 | 105 | 5 | R 1/2 | R 3/8 | 22219 CCK | H 319 |
| SOFN 619 | 85 | 229 | 145 | 216 | 13 | M 24 | 27 | 290 | 160 | 50 | 347 | 75 | 420 | 45 | 28 | 114.5 | 105 | 5 | R 1/2 | R 1/2 | 22319 CCK | H 2319 |
| SOFN 520 | 90 | 206 | 130 | 205 | 10 | M 24 | 27 | 270 | 145 | 50 | 320 | 75 | 400 | 45 | 28 | 103 | 110 | 5 | R 1/2 | R 1/2 | 22220 CCK | H 320 |
| SOFN 620 | 90 | 270 | 170 | 245 | 15 | M 24 | 27 | 315 | 170 | 55 | 347 | 90 | 420 | 45 | 28 | 135 | 115 | 8 | R 1/2 | R 1/2 | 22320 CCK | H 2320 |

Housing a320re designed for oil bath lubrication.

Series SOFN 500 and SOFN 600 for bearings with adapter sleeves



SOFN Plummer Blocks for spherical roller bearing with cylindrical bore

(FOR DIRECT MOUNTING)

AL = CLOSED END. LOOSE BEARING

BL = THROUGH SHAFT. LOOSE BEARING

AF = CLOSED. FIXED BEARING

BF = THROUGH SHAFT. FIXED BEARING

| Shaft dia | Housing Dimensions | | | | | | | | | | | | | Housing Designation | Bearing Designation | Adapter sleeve Designation | Oil level | | |
|-----------|--------------------|----------------|----------------|----------------|------|-----|----------------|----------------|-----|----------------|-----|----|----------------|---------------------|---------------------|----------------------------|----------------|------|------|
| | A _A | A _B | A ₁ | A ₂ | G | H | H ₁ | H ₂ | J | J ₁ | L | N | N ₁ | | | | d ₁ | max. | min. |
| mm | mm | | | | | | | | | | | | | | | mm | | | |
| 100 | 216 | 229 | 145 | 216 | M 24 | 290 | 160 | 50 | 347 | 75 | 420 | 45 | 28 | 120 | SOFN 522 | 22222 CCK | H 322 | 77 | 50 |
| | 270 | 290 | 190 | 265 | M 30 | 355 | 190 | 65 | 415 | 100 | 500 | 45 | 35 | 130 | SOFN 622 | 22322 CCK | H 2322 | 95 | 67 |
| 110 | 258 | 276 | 170 | 245 | M 24 | 315 | 170 | 55 | 347 | 90 | 420 | 45 | 28 | 135 | SOFN 524 | 22224 CCK | H 3124 | 80 | 60 |
| | 285.5 | 306 | 190 | 265 | M 30 | 375 | 200 | 65 | 450 | 115 | 540 | 50 | 35 | 140 | SOFN 624 | 22324 CCK | H 2324 | 100 | 65 |
| 115 | 255 | 270 | 180 | 260 | M 24 | 335 | 180 | 60 | 377 | 100 | 450 | 45 | 28 | 145 | SOFN 526 | 22226 CCK | H 3126 | 85 | 60 |
| | 300 | 320 | 205 | 285 | M 30 | 405 | 215 | 65 | 470 | 120 | 560 | 50 | 35 | 150 | SOFN 626 | 22323 CCK | H 2326 | 105 | 70 |
| 125 | 265 | 280 | 190 | 265 | M 30 | 355 | 190 | 65 | 415 | 100 | 500 | 45 | 35 | 160 | SOFN 528 | 22228 CCK | H 3128 | 85 | 60 |
| | 320 | 340 | 220 | 300 | M 30 | 425 | 230 | 80 | 510 | 120 | 630 | 60 | 35 | 165 | SOFN 628 | 22328 CCK | H 2328 | 115 | 70 |
| 135 | 265 | 280 | 190 | 265 | M 30 | 375 | 200 | 65 | 450 | 115 | 540 | 50 | 35 | 170 | SOFN 530 | 22230 CCK | H 3130 | 90 | 60 |
| | 335 | 350 | 240 | 320 | M 30 | 455 | 245 | 75 | 545 | 150 | 650 | 65 | 35 | 175 | SOFN 630 | 22330 CCK | H 2330 | 120 | 75 |
| 140 | 298 | 316 | 205 | 280 | M 30 | 405 | 215 | 65 | 470 | 120 | 560 | 50 | 35 | 178 | SOFN 532 | 22232 CCK | H 3132 | 95 | 65 |
| | 350 | 370 | 250 | 335 | M 36 | 480 | 260 | 85 | 590 | 150 | 720 | 70 | 42 | 190 | SOFN 632 | 22332 CCK | H 2332 | 125 | 80 |
| 150 | 330 | 350 | 230 | 310 | M 30 | 440 | 235 | 70 | 515 | 130 | 610 | 55 | 35 | 195 | SOFN 534 | 22234 CCK | H 3134 | 105 | 75 |
| | 358 | 378 | 260 | 350 | M 36 | 510 | 275 | 85 | 600 | 160 | 730 | 70 | 42 | 197 | SOFN 634 | 22334 CCK | H 2334 | 130 | 85 |
| 160 | 340 | 360 | 240 | 320 | M 30 | 455 | 245 | 75 | 545 | 150 | 650 | 65 | 35 | 205 | SOFN 536 | 22236 CCK | H 3136 | 115 | 80 |
| | 384.5 | 404 | 280 | 370 | M 36 | 565 | 305 | 95 | 670 | 180 | 820 | 80 | 42 | 210 | SOFN 636 | 22336 CCK | H 2336 | 155 | 90 |
| 170 | 350 | 370 | 250 | 335 | M 36 | 480 | 260 | 85 | 590 | 150 | 720 | 70 | 42 | 220 | SOFN 538 | 22238 CCK | H 3138 | 120 | 85 |
| 180 | 358 | 378 | 260 | 350 | M 36 | 510 | 275 | 85 | 600 | 160 | 730 | 70 | 42 | 227 | SOFN 540 | 22240 CCK | H 3140 | 125 | 85 |
| 200 | 384.5 | 404 | 280 | 370 | M 36 | 565 | 305 | 95 | 670 | 180 | 820 | 80 | 42 | 255 | SOFN 544 | 22244 CCK | H 3144 A | 140 | 95 |
| 220 | 400 | 420 | 290 | 380 | M 36 | 625 | 340 | 100 | 740 | 190 | 900 | 80 | 42 | 270 | SOFN 548 | 22248 CCCK | H 3148 A | 155 | 110 |

Housings are designed for oil bath lubrication.