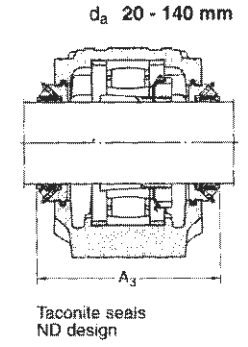
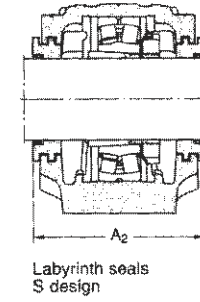
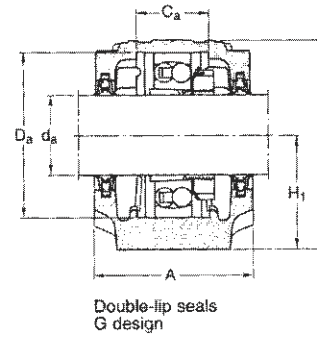
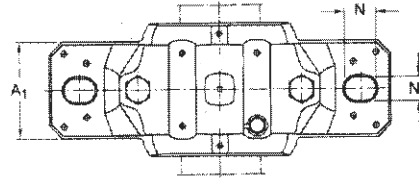
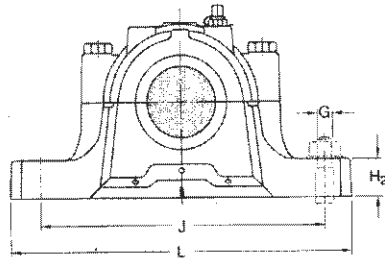


Plummer Blocks

Series SNL 500
for bearings with Adapter Sleeve

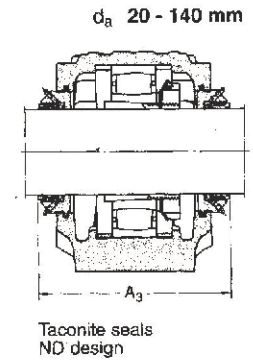
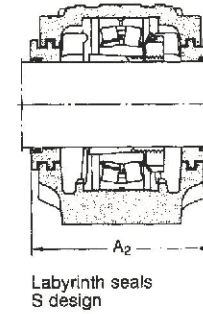
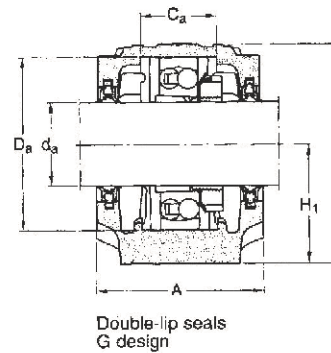
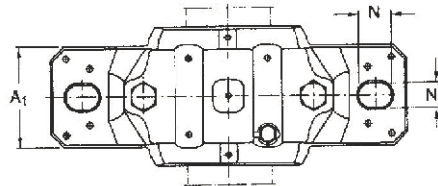
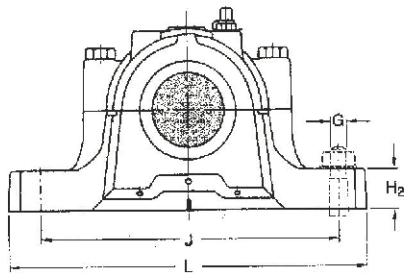


Shaft	Housing Dimension										Designations	Bearing	Width		Appropriate bearings and associated components		
da	A	A1	H	H1	H2	J	L	N	N1	G	Housing Complete with	Seating	Across	Seal	self-aligning ball bearing	Adpter	Locating rings
mm	mm										two seal	Ca	Da	A2	spherical roller bearing	sleeve	2 per housing
20	67	46	74	40	19	130	165	20	15	12	SNL 505 TG	25	52	80	1205EK 2205 EK / 22205 CCK/W33	H 205 H 305	FRB /52 FRB 3.5/52
20	67	46	74	40	19	130	165	20	15	12	SNL 505 TG	25	52	80	1205EK 2205 EK / 22205 CCK/W33	H 205 H 305	FRB /52 FRB 3.5/52
25	77	52	89	50	22	150	185	20	15	12	SNL 506 TG	32	62	89	1206 EK	H 206	FRB 8/62
30	82	52	93	50	22	150	185	20	15	12	SNL 507 TG	34	72	94	1207 EK 2207 EK / 22207 CCK/W33	H 207 H 307	FRB 8.5/72 FRB 5.5/72
35	85	60	108	60	25	170	205	20	15	12	SNL 508 TG	39	80	97	1208 EK 2208 EK / 22208 EK	H 208 H 308	FRB 10.5/80 FRB 8/80
40	85	60	109	60	25	170	205	20	15	12	SNL 509 TG	30	65	97	1209 EK 2209 EK / 22209 CCK/W33	H 209 H 309	FRB 5.5/85 FRB 3.5/85
45	90	60	113	60	25	170	205	20	15	12	SNL 510 TG	41	90	102	1210 EK 2210 EK / 22210 CCK/W33	H 210 H 310	FRB 10.5/90 FRB 9/90
50	95	70	128	70	28	210	255	24	18	16	SNL 511 TG	44	100	107	1211 EK 2211 EK / 22211 K	H 211 H 311	FRB 11.5/100 FRB 9.5/100
55	105	70	134	70	30	210	255	24	18	16	SNL 512 TG	48	110	117	1212 EK 2212 EK / 22212 EK	H 212 H 312	FRB 13/110 FRB 10/110

60	110	80	149	80	30	230	275	24	18	16	SNL 513 TG	51	120	122	180	1213 EK 2213 EK / 22213 CCK/W33	H 213 H 313	FRB 14120 FRB 10/120
60	115	80	155	80	30	230	280	24	18	16	SNL 514 TG	51	125	127	175	1214 K 2214 K / 22214 CK	H 214 H 314	FRB 13/125 FRB 10/125
65	115	80	155	80	30	230	280	24	18	16	SNL 515 TG	56	130	127	175	1215 K 2215 EK / 22315 EK	H 215 H 315	FRB 15.5/130 FRB 12.5/130
70	120	90	177	95	32	260	315	28	22	20	SNL 516 TG	58	140	138	205	1216 K 2216 EK / 22216 EK	H 216 H 316	FRB 16/140 FRB 12.5/140
75	125	90	183	95	32	260	320	28	22	20	SNL 517 TG	61	150	143	210	1217 K 2217 K / 22217 EK	H 217 H 317	FRB 16.5/150 FRB 12.5/150
80	140	100	194	100	35	290	345	28	22	20	SNL 518 TG	65	160	158	225	1218 K 2218 K / 22218 EK 23218 CCK/W33	H 218 H 318 H 2318	FRB 17.5/160 FRB 12.5/160 FRB 6.25/160
85	145	100	212	112	35	290	345	28	22	20	SNL 519 TG	68	170	163	220	1219 K 2219 K / 22219 EK	H 219 H 319	FRB 18/170 FRB 12.5/170
90	160	110	218	112	40	320	380	32	26	24	SNL 520 TG	70	180	178	230	1220 K 2220 K / 22220 EK 23220 CCK/W33	H 220 H 320 H 2320	FRB 18/180 FRB 12/180 FRB 4.85/180
100	175	120	242	125	45	350	410	32	26	24	SNL 522 TG	80	200	191	250	1222 K 2222 K / 22222 EK 23222 CCK/W33	H 222 H 322 H 2322	FRB 21/200 FRB 13.5/200 FRB 5.1/200
110	185	120	271	140	45	350	410	32	26	24	SNL 524 TG	86	215	199	260	1224 K 22224 EK 23224 CCK/W33	H 3024 H 3124 H 2324	FRB 22/215 FRB 14/215 FRB 5/215
115	190	130	290	150	50	380	445	35	28	24	SNL 526 TG	90	230	208	265	22226 EK 23226 CCK/W33	H 3126 H 2326	FRB 13/230 FRB 5/230
125	205	150	302	150	50	420	500	42	35	30	SNL 528 TG	98	250	223	285	22228 CCK/W33 23228 CCK/W33	H 3128 H 2328	FRB 15/250 FRB 5/250
135	220	160	323	160	60	450	530	42	35	30	SNL 530 TG	106	270	241	295	22230 CCK/W33 23230 CCK/W33	H 3130 H 2330	FRB 16.5/270 FRB 5/270
140	235	160	344	170	60	470	550	42	35	30	SNL 532 TG	114	290	254	315	22232 CCK/W33 23232 CCK/W33	H 3132 H 2332	FRB 17/290 FRB 5/290

Plummer Blocks

Series SNL 600
for bearings with Adapter Sleeves

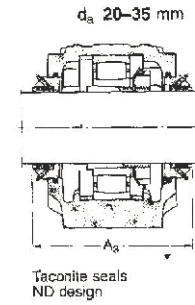
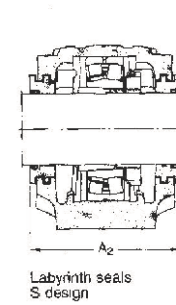
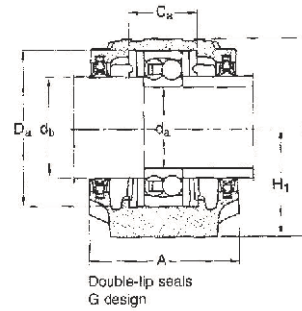
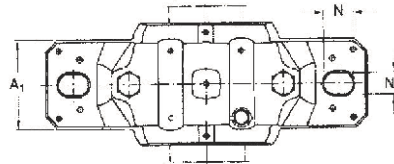
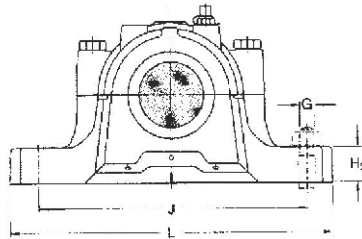


Shaft		Housing Dimension									Designations Housing Complete with	Bearing Seating	Width Across Seal		Appropriate bearings and associated components self-aligning ball bearing spherical roller bearing			Adpter sleeve	Locating rings 2 per housing
d_a	A	A1	H	H1	H2	J	L	N	N1	G	two seal	Ca	Da	A2	A3				
mm	mm																		
20	77	52	89	50	22	150	185	20	15	12	SNL 605 TG	32	62	89	135	1305 EK 2305 EK	H 305 H 2305	FRB 7.5/62 FRB 4/62	
25	82	52	93	50	22	150	185	20	15	12	SNL 606 TG	34	72	94	140	1306 EK 2306 K	H 306 H 2306	FRB 7.5/72 FRB 3.5/72	
30	85	60	107	60	25	170	205	20	15	12	SNL 607 TG	39	80	97	145	1307 EK 2307 EK	H 307 H 2307	FRB 9/80 FRB 4/80	
35	90	60	113	60	25	170	205	20	15	12	SNL 608 TG	41	90	102	150	1308 EK / 21308 CCK 2308 EK / 22308 CCK/W33	H 308 H 2308	FRB 9/90 FRB 4/90	
40	95	70	127	70	28	210	255	24	18	16	SNL 609 TG	44	100	107	155	1309 EK / 21309 EK 2309 EK / 22309 CCK/W33	H 309 H 2309	FRB 9.5/100 FRB 4/100	
45	105	70	133	70	30	210	255	24	18	16	SNL 610 TG	48	110	117	165	1310 EK / 21310 EK 2310 K / 22310 CCK/W33	H 310 H 2310	FRB 10.5/110 FRB 4/110	
50	110	80	148	80	30	230	275	24	18	16	SNL 611 TG	51	120	122	170	1311 EK / 21311 EK 2311 K / 22311 EK	H 311 H 2311	FRB 11/120 FRB 4/120	
55	115	80	154	80	30	230	280	24	18	16	SNL 612 TG	56	130	127	175	1312 EK / 21312 EK 2312 K / 22312 EK	H 312 H 2312	FRB 12.5/130 FRB 5/130	

60	120	90	175	95	32	260	315	28	22	20	SNL 613 TG	58	140	138	180	1313 EK / 21313 EK	H 313	FRB 12.5/140
																2313 K / 22313 EK	H 2313	FRB 5/140
60	125	90	183	95	32	260	320	28	22	20	SNL 614 TG	61	150	143	210	1314 K / 21314 K 2314 K / 22314 K	H 314 H 2314	FRB 13/150 FRB 10/150
65	140	100	193	100	35	290	345	28	22	20	SNL 615 TG	65	160	158	200	1315 K / 21315 EK 2315 K / 22315EK	H 315 H 2315	FRB 14/160 FRB 5/160
70	145	100	210	112	35	290	345	28	22	20	SNL 616 TG	68	170	163	205	1316 K / 21316 EK 2316 K / 22316 EK	H 316 H 2316	FRB 14.5/170 FRB 5/170
75	160	110	215	112	40	320	380	32	26	24	SNL 617 TG	70	180	178	220	1317 K / 21317 EK 2317 K / 22317 EK	H 317 H 2317	FRB 14.5/180 FRB 5/180
80	155	110	229	112	45	320	380	32	26	24	SNL 618 TG	74	190	155	170	1318 K / 21318 K 2318 K / 22318 CK	H 318 H 2318	FRB 15.5/190 FRB 10/190
85	175	120	239	125	45	350	410	32	26	24	SNL 619 TG	80	200	191	235	1319 K / 21319 EK 2319 K / 22319 EK	H 319 H 2319	FRB 17.5/200 FRB 6.5/200
90	185	120	271	140	45	350	410	32	26	24	SNL 620 TG	86	215	199	240	1320 K / 21320 EK 2320 K / 22320 EK	H 320 H 2320	FRB 19.5/215 FRB 6.5/215
100	185	130	298	150	50	390	450	35	28	24	SNL 622 TG	100	240	185	203	21322 K 22322 CK	H 322 H 2322	FRB 20/240 FRB 10/240
110	190	160	321	160	60	450	530	42	35	30	SNL 624 TG	106	260	190	208	22324 CK	H 2324	FRB 10/260
115	205	160	344	170	60	470	550	42	35	30	SNL 626 TG	113	280	205	223	22324 CK	H 2324	FRB 10/280
125	215	170	366	180	65	520	620	42	35	30	SNL 628 TG	122	300	215	233	22328 K	H 2328	FRB 10/300
135	225	180	386	190	65	560	650	42	35	30	SNL 630 TG	128	320	225	243	22330 K	H 2330	FRB 10/320
140	235	190	406	200	70	580	680	50	42	35	SNL 632 TG	134	340	235	253	22332 K	H 2332	FRB 10/340

Plummer Blocks

Series SNL 200
for bearings with Cylindrical Bore

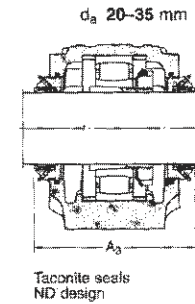
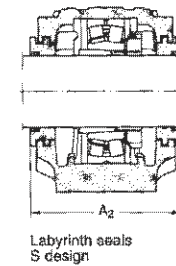
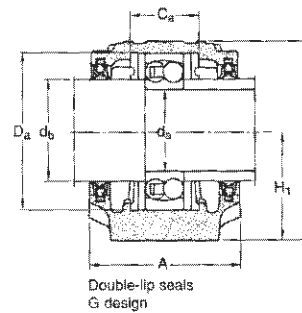
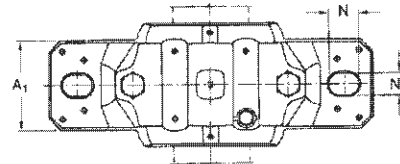
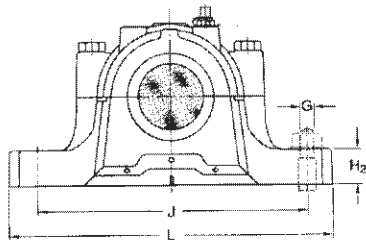


Shaft		Housing Dimension									Designations Housing Complete with	Bearing Seating	Width Accorsss Seal			Appropriate bearings and associated components self-aligning ball bearing spherical roller bearing		Locating rings 2 per housing
da	A	A1	H	H1	H2	J	L	N	N1	G	two seal	db	Ca	Da	A2	A3		
mm	mm																	
25	67	46	74	40	19	130	165	20	15	12	SNL 205 TG	30	25	52	90	140	1205 E 2205 E / 22205 CC/W 33	FRB 5/52 FRB 3.5/52
30	77	52	89	50	22	150	185	20	15	12	SNL 206 TG	35	32	62	89	150	1206 E 2206 E / 22206 CC/W33	FRB 6/62 FRB 6/62
35	82	52	93	50	22	150	185	20	15	12	SNL 207 TG	45	34	72	96	160	1207 E 2207 E / 22207 CC/W33	FRB 8.5/72 FRB 5.5/72
40	85	60	108	60	25	170	205	20	15	12	SNL 208 TG	50	39	80	99	160	1208 E 2208 E / 22208 E	FRB 10.5/80 FRB 8/60
45	85	60	109	60	25	170	205	20	15	12	SNL 209 TG	55	30	85	97	160	1209 E 2209 E / 22209 CC/W33	FRB 5.5/85 FRB 3.5/85
50	90	60	113	60	25	170	205	20	15	12	SNL 210 TG	60	41	90	102	165	1210 E 2210 E / 22210 CC/W33	FRB 10.5/90 FRB 9/90
55	95	70	128	70	28	210	255	24	18	16	SNL 211 TG	65	44	100	107	170	1211 E 2211 E / 22211 E	FRB 11.5/100 FRB 9.5/100
60	105	70	134	70	30	210	255	24	18	16	SNL 212 TG	70	48	110	117	185	1212 E 2212 E / 22212 E	FRB 13/110 FRB 10/110
65	110	80	149	80	30	230	275	24	18	16	SNL 213 TG	75	51	120	128	190	1213 E 2213 E / 22213 CC/W33	FRB 14/120 FRB 10/120

70	115	80	155	80	30	230	280	24	18	16	SNL 214 TG	80	56	125			1214 2214 / 22214 CC	FRB 10/125 FRB 13125
75	115	80	155	80	30	230	280	24	18	16	SNL 215 TG	85	56	130	133	195	1215 2215 E / 22215 E	FRB 15.5/130 FRB 12.5/130
80	120	90	177	95	32	260	315	28	22	20	SNL 216 TG	90	58	140	138	200	1216 2216 E / 22216 E	FRB 16/140 FRB 12.5/140
85	125	90	183	95	32	260	320	28	22	20	SNL 217	95	61	150	143	205	1217 2217 / 22217 E	FRB 16.5/150 FRB 12.5/150
90	140	100	194	100	35	290	345	28	22	20	SNL 218 TG	100	65	160	158	220	1218 2218 / 22218 E 23218 CC/W33	FRB 17.5/160 FRB 12.5/160 FRB 6.25/160
95	140	100	194	100	35	290	345	28	22	20	SNL 219 TG	105		170			1219 2219 / 22219 CC 23219 CC	FRB 18/170 FRB 12.5/170 FRB 10/170
100	160	110	218	112	40	320	380	32	26	24	SNL 220 TG	115	70	180	178	245	1220 2220 / 22220 E 23220 CC/W33	FRB 18/180 FRB 12/180 FRB 4.85/180
110	175	120	242	125	45	350	410	32	26	24	SNL 222 TG	125	80	200	191	255	1222 2222 / 22222 E 2322 CC/W33	FRB 21/200 FRB 13.5/200 FRB 5.1/200
120	185	120	271	140	45	350	410	32	26	24	SNL 224 TG	135	86	215	199	270	1224 2224 E 23224 CC/W33	FRB 22/215 FRB 14/215 FRB 5/215
130	190	130	290	150	50	380	445	35	28	24	SNL 226 TG	145	90	230	208	275	1226 22226 E / C 2226 23226 CC/W33	FRB 22/230 FRB 13/230 FRB 5/230
140	205	150	302	150	50	420	500	42	35	30	SNL 228 TG	155	98	250	223	290	22228 CC/W33 23228 CC/W33	FRB 15/250 FRB 5/250
150	220	160	323	160	60	450	530	42	35	30	SNL 230 TG	165	106	270	241	310	22230 CC/W33 23230 CC/W33	FRB 16.5/270 FRB 5/270
160	235	160	344	177	60	470	550	42	35	30	SNL 232 TG	175	114	290	254	325	23232 CC/W33 23232 CC/W33	FRB 17/290 FRB 5/290

Plummer Blocks

Series SNL 300
for bearings with Cylindrical Bore



Shaft		Housing Dimension										Designations	Bearing	Width	Appropriate bearings and associated components			
da	db	A	A1	H	H1	H2	J	L	N	N1	G	Housing Complete with	Seating	Across Seal			Locating rings	
mm	mm											two seal	Ca	Da	A2	A3	self-aligning ball bearing spherical roller bearing	2 per housing
25	30	77	52	89	50	22	150	185	20	15	12	SNL 305 TG	32	62	89	140	1305 E / 21305 CC 2305	FRB 7.5/62 FRB 4/62
30	35	82	52	93	50	22	150	185	20	15	12	SNL 306 TG	34	72	94	155	1306 E / 23106 CC 2306 / 22306	FRB 7.5/72 FRB 4/80
35	45	90	60	108	60	25	170	205	20	15	15	SNL 307	39	80	99	145	1307 E / 21307 CC 2307 E / 22307 E	FRB 9/80 FRB 4/80
40	50	90	60	113	60	25	170	205	20	15	12	SNL 308 TG	41	90	102	167	1308 E / 21308 E 2308 E / 22308 CC/W33	FRB 9/90 FRB 4/90
45	55	95	70	128	70	28	210	255	24	18	16	SNL 309 TG	44	100	107	172	1309 E / 23109 E 2309 E / 22309 CC/W33	FRB 9.5/100 FRB 4/100
50	60	105	70	134	70	30	210	255	24	18	16	SNL 310 TG	48	110	117	180	1310 E / 21310 E 2310 / 22310 CC/W33	FRB 10.5/110 FRB 4/110
55	65	110	80	149	80	30	230	275	24	18	16	SNL 311 TG	51	120	122	185	1311 E / 21311 E 2311 / 22311 E	FRB 11/120 FRB 4/120
60	70	115	80	155	80	30	230	280	24	18	16	SNL 312 TG	56	130	127	197	1312 / 21312 E 2312 / 22312 E	FRB 12.5/130 FRB 5/130

65	75	120	90	177	95	32	260	315	28	22	20	SNL 313 TG	58	140	138	200	1313 E/ 21313 E 2313 / 22313 E	FRB 12.5/140 FRB 5/140
70	80	125	90	183	95	32	260	320	28	22	20	SNL 314 TG	61	150	143	205	1314 / 21314 E 2314 / 22314 /	FRB 13/150 FRB 5/150
75	85	140	100	194	100	35	290	345	28	22	20	SNL 315 TG	65	160	158	220	1315 / 21315 E 2315 / 22315 E	FRB 14/160 FRB 5/160
80	90	145	100	210	112	35	290	345	28	22	20	SNL 316 TG	68	170	163	218	1316 / 21316 E 2316 / 22316 E	14.5/170 5/170
85	95	160	110	218	112	40	320	380	32	26	24	SNL 317 TG	70	180	178	238	1317 / 21317 E 2317 / 22317 E	FRB 14.5/180 FRB 5/180
90	100	155	110	229	112	40	320	380	32	26	24	SNL 318 TG	64	190			1318 / 21318 CC 2318 / 22318 CC	FRB 15.5/190 FRB 10/190
95	110	175	120	242	125	45	350	410	32	26	24	SNL 319 TG	80	200	191	253	1319 / 21319 E 2319 / 22319 E	FRB 17.5/200 FRB 6.5/200
100	115	185	120	271	140	45	350	410	32	26	24	SNL 320 TG	86	215	199	260	1320 / 21320 E 2320 / 22320 E	FRB 19.5/215 FRB 6.5/215
110	125	185	130	298	150	50	390	450	35	28	24	SNL 322 TG	100	240	203		20322 / 21322 2322 / 22322	FRB 20/240 FRB 13/240
120	135	190	160	321	160	60	450	530	42	35	30	SNL 324 TG	106	260	208		22324	FRB 16/260
130	150	205	160	344	170	60	470	550	42	35	30	SNL 326 TG	113	280	223		22326	FRB 10/280
140	160	215	170	366	180	65	520	620	42	35	30	SNL 328 TG	122	300	233		22328	FRB 10/300
150	170	225	180	386	190	65	560	650	42	35	30	SNL 330 TG	128	320	243		22330	FRB 10/320
160	180	235	190	406	200	70	580	680	50	42	35	SNL 332 TG	134	340	253		22332	FRB 10/340