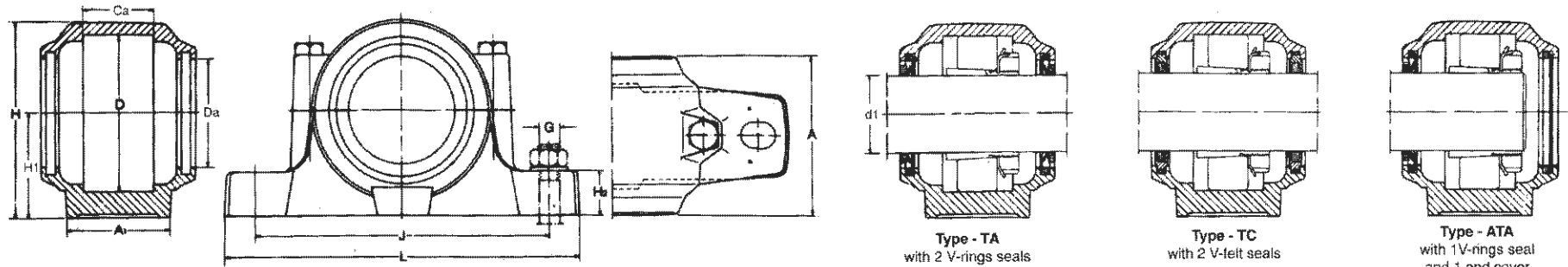


Plummer Blocks

Series SNA 500

for bearings with Adppter Sleeve

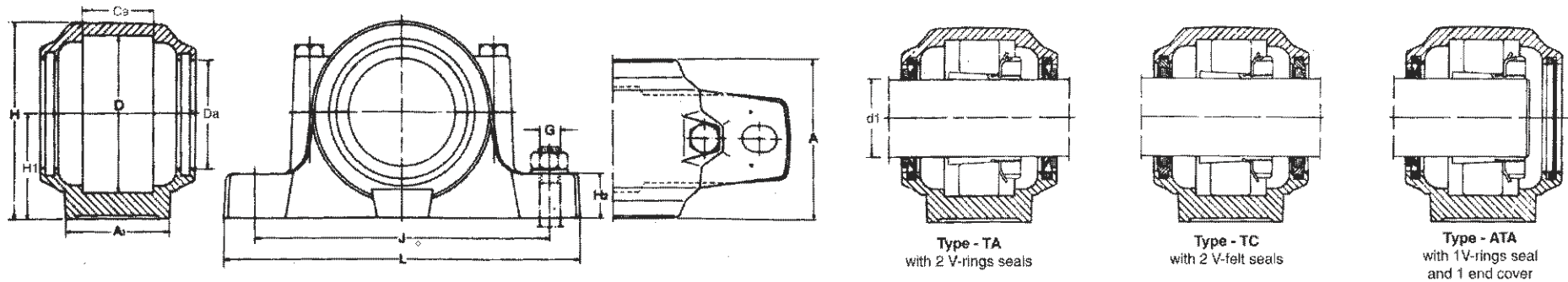


Shaft dia	Dimensions												Housing Designations			Bearing with Adapter Sleeve Designation	Locating ring (s) (to be ordered seperately)	
	A	A1	Ca	D	Da	H	H1	H2	J	L	G	TA	TC	ATA	Qty.		Designation	
mm	inc.	mm																
20	¾	67	46	25	52	31.5	71	40	19	130	165	10	SNA 505 TA	SNA 505 TC	SNA 505 ATA	1205 K + H 205	2	FRB 5/52
																2205 K + H 305	1	FRB 7/52
25	1	77	52	32	62	36.5	87	50	22	150	185	10	SNA 506 TA	SNA 506 TC	SNA 506 ATA	1206 K + H 206	2	FRA 8/62
																2206 K + H 306	2	FRB 6/62
30	1 1/8	82	52	34	72	46.5	92	50	22	150	185	10	SNA 507 TA	SNA 507 TC	SNA 507 ATA	1207 K + H 207	2	FRB 8.5/72
																2207 K + H 307	1	FRB 11/72
																22207CK + H 307	1	FRB 11/72
35	1 ¼	85	60	39	80	51.5	106	60	25	170	205	12	SNA 508 TA	SNA 508 TC	SNA 508 ATA	1208 K + H 208	2	FRB 10.5/80
																2208 K + H 308	2	FRB 8/80
																22208CK + H 308	2	FRB 8/80
40	1 ½	85	60	30	85	56.5	109	60	25	170	205	12	SNA 509 TA	SNA 509 TC	SNA 509 ATA	1209 K + H 209	1	FRB 11/85
																2209 K + H 309	1	FRB 7/85
																22209CK + H 309	1	FRB 7/85
45	1 ¾	90	60	41	90	62	112	60	25	170	205	12	SNA 510 TA	SNA 510 TC	SNA 510 ATA	1210 K + H 210	2	FRB 10.5/90
																2210 K + H 310	2	FRB 9/90
																22210CK + H 310	2	FRB 9/90
50	2	95	70	44	100	67	127	70	28	210	225	16	SNA 511 TA	SNA 511 TC	SNA 511 ATA	1211 K + H 211	2	FRB 11.5/100
																2211 K + H 311	2	FRB 9.5/100
																22211 K + H 311	2	FRB 9.5/100

55	2 ¹ / ₈	105	70	48	110	72	133	70	30	210	255	16	SNA 512 TA	SNA 512 TC	SNA 512 ATA	1212 K + H 212	2	FRB 13/110
																2212 K + H 312	2	FRB 10/110
																22212CK + H 312	2	FRB 10/110
60	2 ¹ / ₄	110	80	51	120	77	148	80	30	230	275	16	SNA 513 TA	SNA 513 TC	SNA 513 ATA	1213 K + H 213	2	FRB 14/120
																2213 K + H 313	2	FRB 10/120
																22213CK + H 313	2	FRB 10/120
60	2 ³ / ₈	115	80	51	125	87	154	80	30	230	280	16	SNA 514 TA	SNA 514 TC	SNA 514 ATA	1214 K + H 214	2	FRB 13/125
																2214 K + H 314	2	FRB 8/125
																22214CK + H 314	2	FRB 8/125
65	2 ¹ / ₂	115	80	56	130	87	154	80	30	230	280	16	SNA 515 TA	SNA 515 TC	SNA 515 ATA	1215 K + H 215	2	FRB 15.5/130
																2215 K + H 315	2	FRB 12.5/130
																22215CK + H 315	2	FRB 12.5/130
70	2 ³ / ₄	120	90	58	140	92.5	175	95	32	260	315	20	SNA 516 TA	SNA 516 TC	SNA 516 ATA	1216 K + H 216	2	FRB 16/140
																2216 K + H 316	2	FRB 12.5/140
																22216CK + H 316	2	FRB 12.5/140
75	3	125	90	61	150	97.5	181	95	32	260	320	20	SNA 517 TA	SNA 517 TC	SNA 517 ATA	1217 K + H 217	2	FRB 16.5/150
																2217 K + H 317	2	FRB 12.5/150
																22217CK + H 317	2	FRB 12.5/150
80	3 ¹ / ₈	140	100	65	160	102.5	192	100	35	290	345	20	SNA 518 TA	SNA 518 TC	SNA 518 ATA	1218 K + H 218	2	FRB 17.5/160
																2218 K + H 318	2	FRB 12.5/160
																22218CK + H 318	2	FRB 12.5/160
85	3 ¹ / ₄	145	100	68	170	131	209	112	35	290	345	20	SNA 519 TA	SNA 519 TC	SNA 519 ATA	1219 K + H 219	2	FRB 18/170
																2219 K + H 319	2	FRB 12.5/170
																22219CK + H 319	2	FRB 12.5/170
90	3 ¹ / ₂	160	110	70	180	137.5	215	112	40	320	380	24	SNA 520 TA	SNA 520 TC	SNA 520 ATA	1220 K + H 220	2	FRB 18/180
																2220 K + H 320	2	FRB 12/180
																22220CK + H 320	2	FRB 12/180
																23220CK + H 2320	1	FRB 9.7/180
100	4	175	120	80	200	147.5	239	125	45	350	410	24	SNA 522 TA	SNA 522 TC	SNA 522 ATA	1222 K + H 222	2	FRB 21/200
																2222 K + H 322	2	FRB 13.5/200
																22222CK + H 322	2	FRB 13.5/200
																23222CK + H 2322	1	FRB 10/200
110	4 ¹ / ₄	185	120	86	215	157.5	271	140	45	350	410	24	SNA 524 TA	SNA 524 TC	SNA 524 ATA	22224CK + H 3124	2	FRB 14/215
																23224CK + H 2324	1	FRB 10/215
115	4 ¹ / ₂	190	130	90	230	167.5	290	150	50	380	445	24	SNA 526 TA	SNA 526 TC	SNA 526 ATA	22226CK + H 3126	2	FRB 13/230
																23226CK + H 2326	1	FRB 10/230
125	5	205	150	98	250	177.5	302	150	50	420	500	30	SNA 528 TA	SNA 528 TC	SNA 528 ATA	22228CK + H 3128	2	FRB 15/250
																23228CK + H 2328	1	FRB 10/250
135	5 ¹ / ₄	220	160	106	270	192.5	323	160	60	450	530	30	SNA 530 TA	SNA 530 TC	SNA 530 ATA	22230CK + H 3130	2	FRB 16.5/270
																23230CK + H 2330	1	FRB 10/270
140	5 ¹ / ₂	235	160	114	290	202.5	344	170	60	470	550	30	SNA 532 TA	SNA 532 TC	SNA 532 ATA	22232CK + H 3132	2	FRB 17/290
																23232CK + H 2332	1	FRB 10/290

Plummer Blocks

Series SNA 600
for bearings with Adpter Sleeve



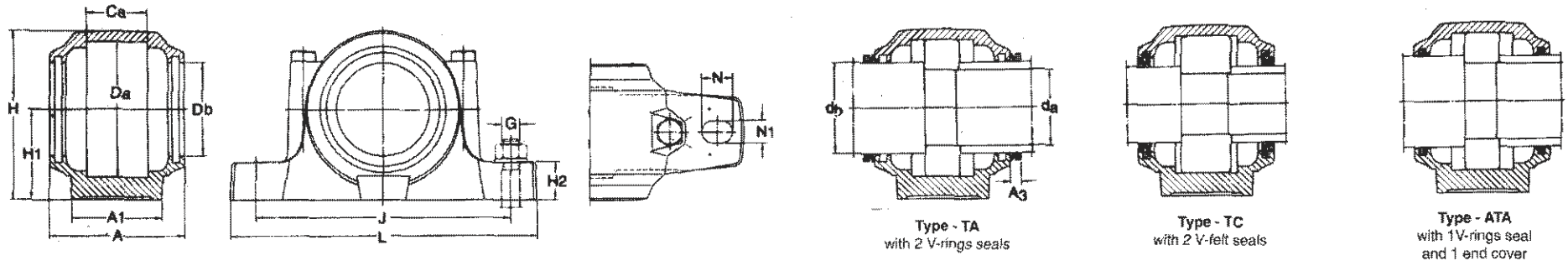
Shaft dia		Dimensions											Housing Designations			Bearing with Adapter Sleeve	Loving ring (s) (to be ordered seperately)		
		A	A1	Ca	D	Da	H	H1	H2	J	L	G	TA	TC	ATA	Designation	Qty.	Designation	
mm	inc.	mm																	
20	¾	77	52	32	62	36.5	87	50	22	150	185	10	SNA 605 TA	SNA 605 TC	SNA 605 ATA	1305 K + H 305 2305 K + H 2305	2 1	FRB 7.5/62 FRB 8/62	
25	1	82	52	34	72	46.5	92	50	22	150	185	10	SNA 606 TA	SNA 606 TC	SNA 606 ATA	1306 K + H 306 2306 K + H 2306	2 1	FRB 7.5/72 FRB 7/72	
30	1 1/8	85	60	39	80	51.5	106	60	25	170	205	12	SNA 607 TA	SNA 607 TC	SNA 607 ATA	1307 K + H 307 2307 K + H 2307	2 1	FRB 9/80 FRB 8/80	
35	1 ¼	90	60	41	90	62	112	60	25	170	205	12	SNA 608 TA	SNA 608 TC	SNA 608 ATA	1308 K + H 308 2308 K + H 2308 21308 K + H 308 22308CK + H 2308	2 1 2 1	FRB 9/90 FRB 8/90 FRB 9/90 FRB 8/90	
40	1 ½	95	70	44	100	67	127	70	28	210	255	16	SNA 609 TA	SNA 609 TC	SNA 609 ATA	1309 K + H 309 2309 K + H 2309 21309 K + H 309 22309CK + H 2309	2 1 2 1	FRB 905/100 FRB 8/100 FRB 9.5/100 FRB 8/100	
45	1 ¾	105	70	48	110	72	133	70	30	210	255	16	SNA 610 TA	SNA 610 TC	SNA 610 ATA	1310 K + H 310 2310 K + H 2310 21310 K + H 310 22310CK + H 2310	2 1 2 1	FRB 10.5/110 FRB 8/110 FRB 10.5/110 FRB 8/110	

50	2	110	80	51	120	77	148	80	30	230	275	16	SNA 611 TA	SNA 611 TC	SNA 611 ATA	1311 K + H 311	2	FRB 11/120
																2311 K + H 2311	1	FRB 8/120
																21311 K + H 311	2	FRB 11/120
																22311 K + H 2311	1	FRB 8/120
55	2 ¹ / ₈	115	80	56	130	87	154	80	30	230	280	16	SNA 612 TA	SNA 612 TC	SNA 612 ATA	1312 K + H 312	2	FRB 12.5/130
																2312 K + H 2312	1	FRB 10/130
																21312 K + H 312	2	FRB 12.5/130
																22312CK + H 2312	1	FRB 10/130
60	2 ¹ / ₄	120	90	58	140	92.5	175	95	32	260	315	20	SNA 613 TA	SNA 613 TC	SNA 613 ATA	1313 K + H 313	2	FRB 12.5/140
																2313 K + H 2313	1	FRB 10/140
																21313 K + H 313	2	FRB 12.5/140
																22313 K + H 2313	1	FRB 10/140
60	2 ³ / ₈	125	90	61	150	97.5	183	95	32	260	320	20	SNA 614 TA	SNA 614 TC	SNA 614 ATA	1314 K + H 314	2	FRB 13/150
																2314 K + H 2314	1	FRB 5/150
																21314 K + H 314	2	FRB 13/150
																22314 K + H 2314	1	FRB 5/150
65	2 ¹ / ₂	140	100	65	160	102.5	192	100	35	290	345	20	SNA 615 TA	SNA 615 TC	SNA 615 ATA	1315 K + H 315	2	FRB 14/160
																2315 K + H 2315	1	FRB 10/160
																21315 K + H 315	2	FRB 14/160
																22315CK + H 2315	1	FRB 10/160
70	2 ³ / ₄	145	100	68	170	131	209	112	35	290	345	20	SNA 616 TA	SNA 616 TC	SNA 616 ATA	1316 K + H 316	2	FRB 14.5/170
																2316 K + H 2316	1	FRB 10/170
																21316 K + H 316	2	FRB 14.5/170
																22316CK + H 2316	1	FRB 10/170
75	3	160	110	70	180	137.5	215	112	40	320	380	24	SNA 617 TA	SNA 617 TC	SNA 617 ATA	1317 K + H 317	2	FRB 14.5/180
																2317 K + H 2317	1	FRB 10/180
																21317 K + H 317	2	FRB 14.5/180
																22317CK + H 2317	1	FRB 10/180
80	3 ¹ / ₈	165	110	74	190	137.5	220	112	40	320	380	24	SNA 618 TA	SNA 618 TC	SNA 618 ATA	1318 K + H 318	2	FRB 15.5/190
																2318 K + H 2318	1	FRB 10/190
																21318 K + H 318	2	FRB 15.5/190
																22318CK + H 2318	1	FRB 10/190
85	3 ¹ / ₄	175	120	80	200	147.5	239	125	45	350	410	24	SNA 619 TA	SNA 619 TC	SNA 619 ATA	1319 K + H 319	2	FRB 17.5/200
																2319 K + H 2319	1	FRB 13/200
																21319 K + H 319	2	FRB 17.5/200
																22319CK + H 2319	1	FRB 13/200
90	3 ¹ / ₂	185	120	86	215	157.5	271	140	45	350	410	24	SNA 620 TA	SNA 620 TC	SNA 620 ATA	1320 K + H 320	2	FRB 19.5/215
																2320 K + H 2320	1	FRB 13/215
																21320 K + H 320	2	FRB 19.5/215
																22320CK + H 2320	1	FRB 13/215
100	4	185	130	100	240	167.5	298	150	50	390	450	24	SNA 622 TA	SNA 622 TC	SNA 622 ATA	21322 K + H 322	2	FRB 20/240
																22322CK + H 2322	2	FRB 10/240
110	4 ¹ / ₄	190	160	106	260	192.5	321	160	60	450	530	30	SNA 624 TA	SNA 624 TC	SNA 624 ATA	22324CK + H 2324	2	FRB 10/260
115	4 ¹ / ₂	205	160	113	280	202.5	344	170	60	470	550	30	SNA 626 TA	SNA 626 TC	SNA 626 ATA	22326CK + H 2326	2	FRB 10/280
125	5	215	170	122	300		366	180	65	520	620	30	SNA 628 TA	SNA 628 TC	SNA 628 ATA	22328CK + H 2328	2	FRB 10/300
135	5 ¹ / ₄	225	180	128	320		386	190	65	560	650	30	SNA 630 TA	SNA 630 TC	SNA 630 ATA	22330CK + H 2330	2	FRB 10/320
140	5 ¹ / ₂	235	190	134	340		406	200	70	580	680	35	SNA 632 TA	SNA 632 TC	SNA 632 ATA	22332CK + H 2332	2	FRB 10/340

Plummer Blocks

Series SNA 200

For Bearing with Cylindrical bore



Type - TA
with 2 V-rings seals

Type - TC
with 2 V-felt seals

Type - ATA
with 1V-rings seal
and 1 end cover

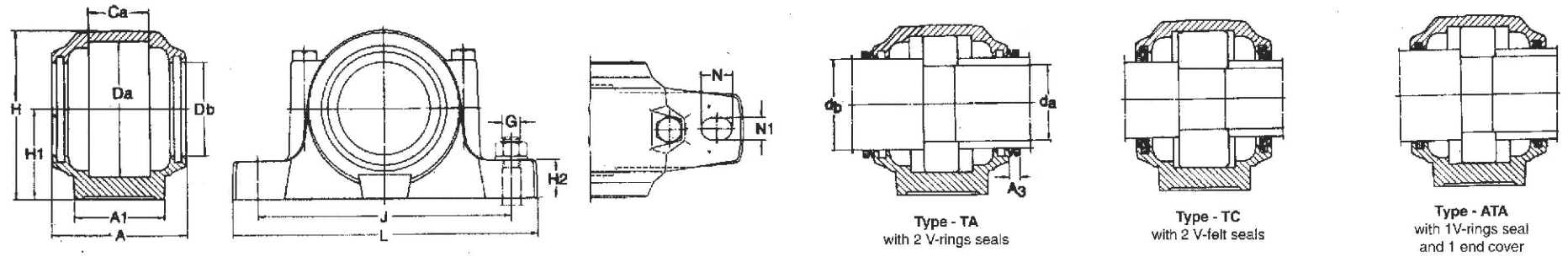
Shaft dia		Housing Dimensions											Housing Designations		Bearing	Locating ring (s) (to be ordered separately)	Housing without Seals			
da	db	A	A1	A3	Ca	Da	Db	H	H1	H2	J	L	G	TA	TC	Designation	Designation	Qty.	Designation	
mm		mm																		
25	30	67	46	6	25	52	31.5	71	40	19	130	165	10	SNA 205 TA	SNA 205 TC	1205	FRB 5/52	2	SNA 505	
																2205	FRB 7/52	1		
																22205 CC	FRB 7/52	1		
30	35	77	52	6	32	62	36.5	87	50	22	150	185	10	SNA 206 TA	SNA 206 TC	1206	FRB 8/62	2	SNA 506	
																2206	FRB 6/62	2		
																22206 CC	FRB 6/62	2		
35	45	82	52	7	34	72	46.5	92	50	22	150	185	10	SNA 207 TA	SNA 207 TC	1207	FRB 8.5/72	2	SNA 507	
																2207	FRB 5.5/72	2		
																22207 CC	FRB 5.5/72	2		
40	50	85	60	7	39	80	51.5	106	60	25	170	205	12	SNA 208 TA	SNA 208 TC	1208	FRB 10.5/80	2	SNA 508	
																2208	FRB 8/80	2		
																22208 CC	FRB 8/80	2		
45	55	85	60	7	30	85	56.5	109	60	25	170	205	12	SNA 209 TA	SNA 209 TC	1209	FRB 5.5/85	2	SNA 509	
																2209	FRB 7/85	1		
																22209 CC	FRB 7/85	1		
50	60	90	60	7	41	90	62	112	60	25	170	205	12	SNA 210 TA	SNA 210 TC	1210	FRB 10.5/90	2	SNA 510	
																2210	FRB 9/90	2		
																22210 CC	FRB 9/90	2		

55	65	95	70	7	44	100	67	127	70	28	210	255	16	SNA 211 TA	SNA 211 TC	1211 2211 22211 CC	FRB 11.5/100 FRB 9.5/100 FRB 9.5/100	2 2 2	SNA 511
60	70	105	70	9	48	110	72	133	70	30	210	255	16	SNA 212 TA	SNA 212 TC	1212 2212 22212 CC	FRB 13/110 FRB 10/110 FRB 10/110	2 2 2	SNA 512
65	75	110	80	9	51	120	77	148	80	30	230	275	16	SNA 213 TA	SNA 213 TC	1213 2213 22213 CC	FRB 14/120 FRB 10/120 FRB 10/120	2 2 2	SNA 513
70	80	115	80	9	51	125	87	154	80	30	230	280	16	SNA 214 TA	SNA 214 TC	1214 2214 22214 CC	FRB 10/125 FRB 13/125 FRB 13/125	2	SNA 514
75	85	115	80	9	56	130	87	154	80	30	230	280	16	SNA215 TA	SNA 215 TC	1215 2215 22215 CC	FRB 15.5/130 FRB 12.5/130 FRB 12.5/130	2 2 2	SNA 515
80	90	120	90	9	58	140	92.5	175	95	32	260	315	20	SNA 216 TA	SNA 216 TC	1216 2216 222160CC	FRB 16/140 FRB 12.5/14092 FRB 12.5/14092	2	SNA 516
85	95	125	90	9	61	150	97.5	181	95	32	260	320	20	SNA 217 TA	SNA 217 TC	1217 2217 222170CC	FRB 16.5/150 FRB 12.5/150 FRB 12.5/150	2 2 2	SNA 517
90	100	140	100	9	65	160	102.5	192	100	35	290	345	20	SNA 218 TA	SNA 218 TC	1218 2218 22218 CC 232180CC	FRB 17.5/160 FRB 12.5/160 FRB 12.5/160 FRB 12.5/160	2 2 2 1	SNA 518
95	105	145	100	9	65	170	102.5	210	112	35	290	345	20	SNA 219 TA	SNA 219 TC	1219 2219 22219 CC 23219 CC	FRB 18/170 FRB 12.5/170 FRB 12.5/170 FRB 10/170	2 2 2 1	SNA 519
100	115	160	110	9	70	180	137.5	215	112	40	320	360	24	SNA 220 TA	—	1220 2220 22220 CC 23220 CC	FRB 18/180 FRB 12/180 FRB 12/180 FRB 9.7/180	2 2 2 1	SNA 520
110	125	175	120	—	80	200	147.5	239	125	45	350	410	24	SNA 222 TA	—	1222 2222 22222 CC 23222 CC	FRB 21/200 FRB 13.5/200 FRB 13.5/200 FRB 10.2/200	2 2 2 1	SNA 522
120	135	185	120	—	86	215	157.5	271	140	45	350	410	24	SNA 224 TA	—	22224 CC 23224 CC	FRB 14/215 FRB 10/215	2 1	SNA 524
130	145	190	130	—	90	230	167.5	290	150	50	380	445	24	SNA 226 TA	—	22226 CC 23226 CC	FRB 13/230 FRB 10/230	2 1	SNA 526
140	155	205	150	—	98	250	177.5	302	150	50	420	500	30	SNA 228 TA	—	22228 CC 23228 CC	FRB 15/250 FRB 10/250	2 1	SNA 528
150	165	220	160	—	106	270	192.5	323	160	60	450	530	30	SNA 230 TA	—	22230 CC 23230 CC	FRB 16.5/270 FRB 10/270	2 1	SNA 530
160	175	235	160	—	114	290	202.5	344	170	60	470	550	30	SNA 232 TA	—	22232 CC 32320 CC	FRB 17/290 FRB 10/290	2 1	SNA 532

Plummer Blocks

Series SNA 300

For Bearing with Cylindrical bore



Shaft dia		Housing Dimensions											Housing Designations		Bearing	Locating ring (s) (to be ordered separately)	Housing without Seals		
d _a	d _b	A	A ₁	A ₃	C _a	D _a	D _b	H	H ₁	H ₂	J	L	G	TA	TC	Designation	Designation	Qty.	Designation
mm		mm																	
30	45	82	52	7	34	72	46.5	92	50	22	150	185	10	SNA 306 TA	SNA 306 TC	1306 2306 21306 CC 22306 CC	FRB 7.5/72 FRB 7/72 FRB 7.5/72 FRB 7/72	2 1 2 1	SNA 606
35	50	85	60	—	39	80	51.5	106	60	25	170	205	12	SNA 307 TA	SNA 307 TC	1307 2307 21307 CC 22307 CC	FRB 9/80 FRB 8/80 FRB 9/80 FRB 8/80	2 1 2 1	SNA 607
40	50	90	60	—	41	90	62	112	60	25	170	205	12	SNA 308 TA	SNA 308 TC	1308 2308 21308 CC 22308 CC	FRB 9/90 FRB 8/90 FRB 9/90 FRB 8/90	2 1 2 1	SNA 608
45	55	95	70	—	44	100	67	127	70	28	210	255	16	SNA 309 TA	SNA 309 TC	1309 2309 21309 CC 22309 CC	FRB 9.5/100 FRB 8/100 FRB 9.5/100 FRB 8/100	2 1 2 1	SNA 609
50	60	105	70	—	48	110	72	133	70	30	210	255	16	SNA 310 TA	—	1310 2310 21310 CC 22310 CC	FRB 10.5/110 FRB 8/110 FRB 10.5/110 FRB 8/110	2 1 2 1	SNA 610

55	65	110	80	—	51	120	77	148	80	30	230	275	16	SNA 311 TA	—	1311	FRB 11/120	2	SNA 611
																2311	FRB 8/120	1	
																21311 CC	FRB 11/120	2	
																22311 CC	FRB 8/120	1	
60	70	115	80	—	56	130	87	154	80	30	230	280	16	SNA 312 TA	—	1312	FRB 12.5/130	2	SNA 612
																2312	FRB 10/130	1	
																21312 CC	FRB 12.5/130	2	
																22312 CC	FRB 10/130	1	
65	75	120	90	—	58	140	92.5	175	95	32	260	315	20	SNA 313 TA	—	1313	FRB 12.5/140	2	SNA 613
																2313	FRB 10/140	1	
																21313 CC	FRB 12.5/140	2	
																22313 CC	FRB 10/140	1	
70	80	125	90	—	61	150	97.5	181	95	32	260	320	20	SNA 314 TA	—	1314	FRB 13/150	2	SNA 614
																2314	FRB 10/150	1	
																21314 CC	FRB 13/150	2	
																22314 CC	FRB 13/150	1	
75	85	140	100	—	65	160	102.5	192	100	35	290	345	20	SNA 315 TA	—	1315	FRB 14/160	2	SNA 615
																2315	FRB 10/160	1	
																21315 CC	FRB 14/160	2	
																22315 CC	FRB 10/160	1	
80	90	145	100	—	68	170	131	210	112	35	290	345	20	SNA 316 TA	—	1316	FRB 14.5/170	2	SNA 616
																2316	FRB 10/170	1	
																21316 CC	FRB 14.5/170	2	
																22316 CC	FRB 10/170	1	
85	95	160	110	—	70	180	137.5	215	112	40	320	380	24	SNA 317 TA	—	1317	FRB 14.5/180	2	SNA 617
																2317	FRB 10/180	1	
																21317 CC	FRB 14.5/180	2	
																22317 CC	FRB 10/180	1	
90	100	155	110		74	190	137.5	229	112	40	320	380	24	SNA 318 TA	SNA 318 TC	1318	FRB 15.5/190	2	SNA 618
																2318	FRB 10/190	1	
																21318 CC	FRB 15.5/190	2	
																22318 CC	FRB 10/190	1	
95	115	160	110		67	200	137.5	215	112	40	320	380	24	SNA 319 TA	SNA 319 TC	1319	FRB 16/200	2	SNA 619
																2319	FRB 10/200	1	
																21319 CC	FRB 16/200	2	
																22319 CC	FRB 10/200	1	
100	125	175	120		73	215	147.5	239	125	45	350	410	24	SNA 320 TA	SNA 320 TC	1320	FRB 18/215	2	SNA 620
																2320	FRB 10/215	1	
																21320 CC	FRB 18/215	2	
																22320 CC	FRB 10/215	1	
110	125	185	130		80	100	167.5	298	150	50	390	450	24	SNA 322 TA	SNA 322 TC	20322 CC	FRB 20/240	2	SNA 622
																22322 CC	FRB 10/240	2	
120	135	190	160		106	260	192.5	321	160	60	450	530	30	SNA 324 TA	SNA 324 TC	20324 CC	FRB 12.5/260	2	SNA 624
																22324 CC	FRB 10/260	2	
130	150	205	160		113	280	202.5	344	170	60	470	550	30	SNA 326 TA	SNA 326 TC	21326 CC	FRB 22/280	2	SNA 626
																22326 CC	FRB 10/280	2	
140	160	215	170		122	300	233	366	180	65	520	620	30	SNA 328 TA	SNA 328 TC	22328 CC	FRB 10/300	2	SNA 628
150	170	225	180		128	320	243	386	190	65	560	650	30	SNA 330 TA	SNA 330 TC	22330 CC	FRB 10/320	2	SNA 630
160	180	235	190		134	340	253	406	200	70	580	680	36	SNA 332 TA	SNA 332 TC	22332 CC	FRB 10/340	2	SNA 632